

# RECON™ Test Set



The RECON is the first true 21st century telecommunication line analyzer. It is a field instrument that delivers more information of online conditions & status than any other test set on the market, anywhere in the world!

- Advanced data detection & identification
- Large backlit display for low light environments
- Glow-in-the-dark keypad
- 100% Data Safe
- Rugged weatherproof case, IP54 Standard
- Drop Proof (drop tested at 20ft)

### Features:

- Multilingual (English, French, Spanish)
- Speaker with fine volume adjustment
- Adjustable earpiece volume, hearing aid compatible
- Noise cancelling microphone
- Microphone mute with toggle On/Off locking feature
- Soft key menu system
- Cushion boot for extra protection
- Backlight 0 to 100% adjustable with On/Off option

### Functions:

- Off-hook current and polarity
- On-hook voltage and polarity
- Ring amplitude and frequency
- On-hook and call waiting Caller ID info
- Amplified Line Monitor for volume levels comparable to "off-hook" operation
- 8 number Stored memory with Alpha/Numeric tags
- Fuel Gauge Battery condition
- Continuous Polarity Indication
- Caller ID/Call Waiting and Caller ID error detection
- Tone and Pulse dialing
- Configurable Auto Off in all modes
- Detects and identifies DSL and T1 lines
- Last number dialed, redialed or received

Angled  
Bed-Of-Nails,  
Piercing Clip and  
No-Fault RJ12  
Cord Set with  
dust-cap



See reverse for  
additional information



Phone: 800.749.5783

Fax: 800.749.5784

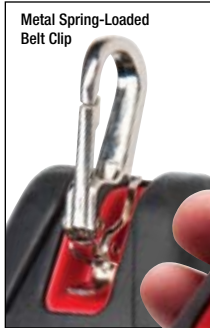
California, USA

[www.platinumtools.com](http://www.platinumtools.com)

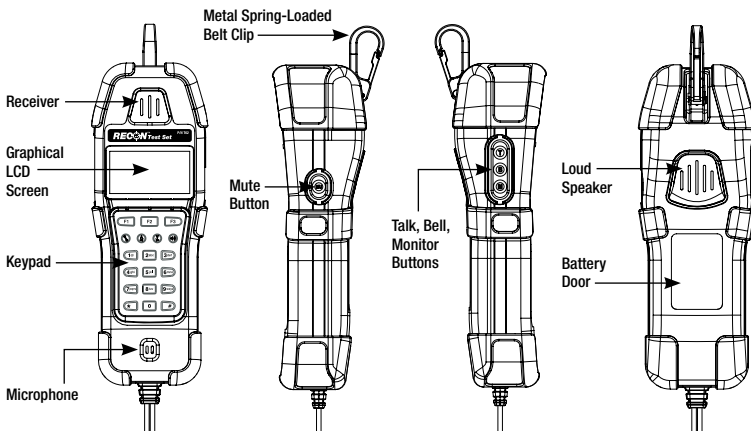
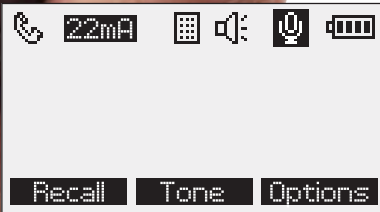
***We Make Connections EZ!***

# RECON™ Test Set

**Largest Backlit LCD  
Display On The Market!**



Actual Display Size



**Hanging Pouch P/N 4007**  
Durable pouch for safe storage and transport of your tester.

## Ordering Information:

| Description    | P/N  | UPC CODE     |
|----------------|------|--------------|
| RECON Test Set | T62  | 849160004943 |
| Hanging Pouch  | 4007 | 849160004899 |

### RECON Includes

- RECON Test Set
- Cord Set: 60 inch Bed-of-Nails and No-Fault RJ12 with dust-cap
- 4 x AAA Alkaline Batteries

## Digital Protection Features:

- Data Defender™ Data line-in-use capability (Data Defender is a trademark of Independent Technologies)
- High line voltage detection with next step options
- Data measurement options
- Active monitor circuitry minimizes load on subscriber line
- DTMF digit detection and display in monitor mode
- Detects DSL and T1 lines
- DigitView™, DTMF decode sees defects on customer equipment while dialing out
- PwrSave™ circuitry for Extra Long battery life

## Specifications:

|                                  |   |
|----------------------------------|---|
| <b>Physical Dimensions:</b>      | Without belt clip and cord set:<br>Size: 8.25" x 2.5" x 2.0" (21 x 6.4 x 5.1 cm)  |
| <b>Weight:</b>                   | With battery, cord set and belt clip<br>19.74 oz. (559.7 grams)   |
| <b>Interface:</b>                | Attached cord set, 60"  |
| <b>Languages:</b>                | English, Spanish and French   |
| <b>Ringer Equivalence:</b>       | In BELL mode: 0.0 (no ringer load)  |
| <b>Pulse Dialing:</b>            | Pulse rate: 10 pps ± 10%;<br>Make/break ratio: 60% to 40% ± 2%; USA<br>Interdigit interval: 820 ms;<br>Resistance during break: 120K Ohms minimum   |
| <b>Tone Dialing:</b>             | DTMF output (into 600 Ohms):<br>Tone-frequency error: ± 1.5%;<br>Tone Level:<br>High group: -6 ± 2 dBm;<br>Low group: -8 ± 2 dBm;<br>High group vs. Low group Difference (twist): 2 ± 1 dBm   |
| <b>Flash Duration:</b>           | 600 ± 50 ms   |
| <b>Pause Duration:</b>           | Tone: 3 seconds; Pulse: 3.4 seconds   |
| <b>Memory:</b>                   | 8 programmable locations, 32 digits with 12 character tag, stored in non-volatile memory. Last number redial plus list of last 10 numbers dialed.   |
| <b>Return Loss:</b>              | Minimum 14 dB at 600 Ohms   |
| <b>Line-Current Range:</b>       | 10 to 110 mA  |
| <b>Apparent Line Resistance:</b> | 275 Ohms at 20 mA   |
| <b>Monitor Mode Impedance:</b>   | DC: 1MΩ typical – AC: 390 KΩ at 1 KHz typical   |
| <b>Measurement:</b>              | Voltage: 0 to 200 VDC ± 5%;<br>Current: 10 to 110 mA ± 5%;<br>NOTE: Do not attach test set to electric-power lines  |
| <b>User Controls:</b>            | (1) Left-side-mounted TALK/BELL/MON push button switches for operating modes;<br>(1) Right-side-mounted microphone mute pushbutton;<br>(4) Front-mounted pushbuttons for various options;<br>(1) Standard front-mounted 12-key phone keypad |
| <b>Display:</b>                  | Transflective 128 by 64 pixel graphical liquid crystal display (LCD) with LED backlight   |
| <b>Power:</b>                    | 4 x AAA alkaline batteries  |
| <b>Battery Life:</b>             | With 100% backlight and in speaker mode - 20 hours<br>Backlight off and speaker off - 75 hours<br>Standby - 2 years   |

**CE** Conformité Européenne:  
Conforms with European  
Economic Area directives



**Disposal information:** Do not place equipment and/or accessories in trash. Items must be properly disposed of in accordance with local regulations

# PLATINUM TOOLS®

Phone: 800.749.5783 Fax: 800.749.5784

California, USA

[www.platinumtools.com](http://www.platinumtools.com)

**We Make Connections EZ!**